



PT. BUDIJAYA MAKMURSENTOSA

**Valve
Actuator
Instrument**

PRODUCT SOLUTION FOR YOUR BOILER, TURBINE AND GENERAL INDUSTRIES



AUTHORIZED AGENT / DISTRIBUTOR / STOCKIST :



[bjmsonline](https://www.bjmsonline.com)



08116158502



www.bjmsgroup.com



www.bjmsonline.com



sales@bjmsgroup.com

PRESSURE MEASUREMENT



**PRESSURE GAUGE
PROCESS
MODEL : 233.50**



**PRESSURE GAUGE
BOILER
MODEL : 211.11**



**PREMIUM PRESSURE
TRANSMITTER
MODEL : S-20**



**ACCESSORIES
SYPHONE
MODEL : 910.15**



**DRAFT GAUGE
MODEL: 614.11**



TEMPERATURE MEASUREMENT



**BIMETAL
TEMPERATURE
GAUGE
MODEL : S55**



**THERMOWELL
FOR TEMPERATURE
ELEMENT
MODEL : TW-10**



**GAS
ACTUATED
THERMOMETER
MODEL : F-73**



**ELECTRONIC
TEMPERATURE
ELEMENT
MODEL : RTD/TC**



**PID
TEMPERATURE
CONTROLLER
MODEL : CS6S**



CALIBRATOR MEASUREMENT

LEVEL SWITCH MEASUREMENT



**PRECISION
DIGITAL
PRESSURE GAUGE
MODEL : CPG1500**



**DRY WELL
CALIBRATOR
MODEL : CTD9100**



**BY PASS LEVEL
INDICATOR WITH
MAGNETIC DISPLAY
MODEL : BNA**



**HIGH PRESSURE
FLOAT
SWITCH
MODEL : ELS**



**DIFFERENTIAL
PRESSURE
TRANSMITTER
MODEL : DPT-10**



FLOW & LEVEL MEASUREMENT



**FLOWMETER
ELEMENT - ORIFICE
PLATE
MODEL : FLC-OP**



**REFLEX
LEVEL GAUGE
MODEL : LGG-RP**



**TRANSPARENT
LEVEL GAUGE
MODEL : LGG-TP**



**LEVEL GAUGE
WITH ILLUMINATOR
MODEL : LGG-TP-IL**



STEAM EFFICIENCY

**THERMODYNAMIC
STEAM TRAP
MODEL : DT-46**



**BALL FLOAT & THERMOSTATIC
STEAM TRAP
MODEL : FLT-32**



**INTERMITTENT
BLOWDOWN
VALVE
MODEL : VPA-26S**



**PRESSURE
REDUCING VALVE
MODEL : RP-45S**



**PNEUMATIC
CONTROL
VALVE
MODEL : PV-25S**



VTV GLOBE VALVE



**DIN STANDARD
GLOBE VALVE
MODEL : GBV-201**



**ANGEL
GLOBE VALVE
MODEL : GBV-203**



**ANSI STANDARD
GLOBE VALVE
MODEL : GBV-201**



**Y TYPE
GLOBE VALVE
MODEL : GBV-Y**



**FORGED STEEL
GLOBE VALVE
MODEL : GBV-301**



VTV GATE VALVE & STRAINER



**DIN STANDARD
GATE VALVE
MODEL : GV-202**



**ANSI STANDARD
GATE VALVE
MODEL : GV-202**



**FORGED STEEL
GATE VALVE
MODEL : GV-301**



**ANSI/DIN STANDARD
Y-STRAINER
MODEL : STV-203**



BUCKET STRAINER



VTV CHECK VALVE



**DISCO
CHECK VALVE
MODEL : DC-207**



**LOW PRESSURE
DROP CHECK VALVE
MODEL : 113BM**



**ANSI STANDARD
SWING CHECK VALVE
MODEL : SC-209**



**DIN STANDARD
LIFT CHECK VALVE
MODEL : LC-208**



TURBINE PRODUCT



**ANSI/DIN STANDARD
SAFETY VALVE
MODEL : 6301**



**ANSI 300 STANDARD
GATE VALVE
MODEL : GV-202**



STEAM SEPARATOR



**EXPANSION JOINT
MODEL : EXJO-400
WITH 4 TIEROD**



BOILER PRODUCT

**SUPERFLOW
DIFFERENTIAL PRESSURE
TRANSMITTER
MODEL : BM55**



**ELECTROMAGNETIC
FLOWMETER REMOTE
MODEL : KF SERIES**



**DUMPER CYLINDER
ACTUATOR CW
POSITIONER
MODEL : FST**



**ELECTRO
PNEUMATIC POSITIONER
YTC ROTORK
MODEL : YT1000R**



**FEEDWATER
CONTROL VALVE
MODEL : SB SERIES**



**SPIRAL WOUND
GASKET**



**AXE
CONTROLLER**



**YOKOGAWA
DIFFERENTIAL PRESSURE
TRANSMITTER**



**SUPERFLOW
TURBINE OIL
FLOWMETER
MODEL : KF500**

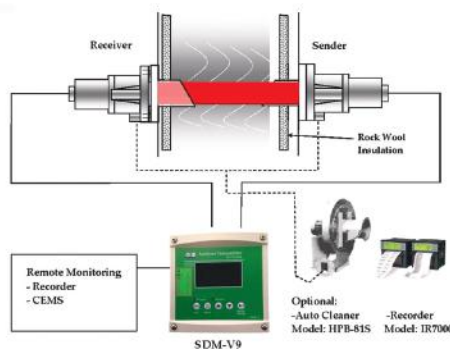


**MOBREY
MAGNETIC LEVEL
SWITCH**

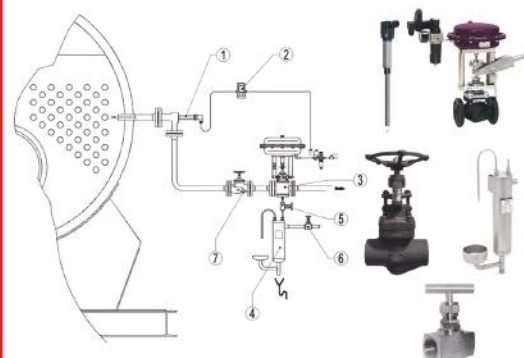


APPLICATION

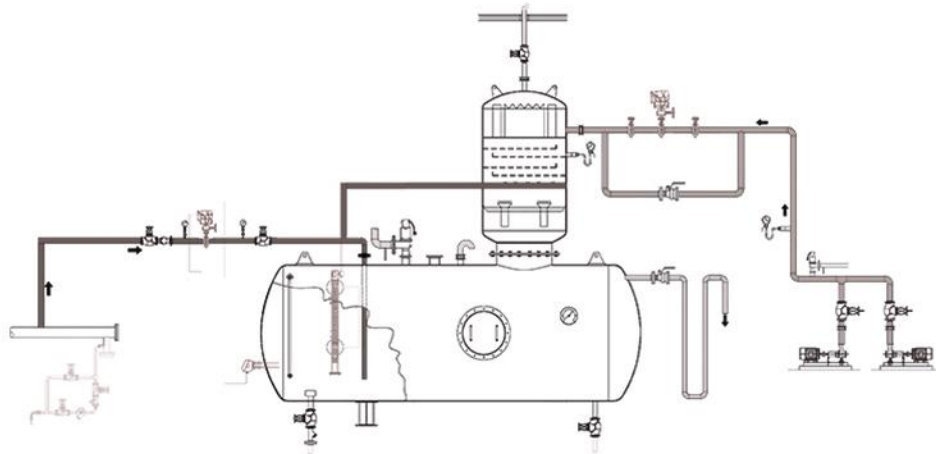
**SMOKE DENSITY
METER**



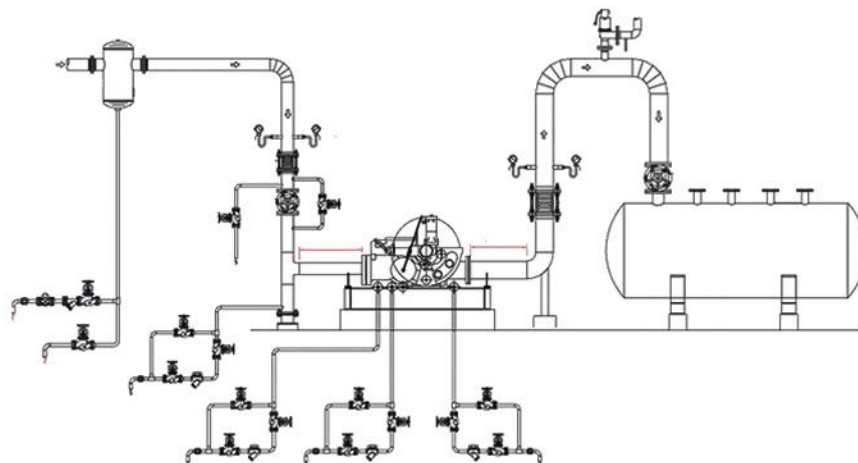
**BOILER AUTOMATIC
BLOWDOWN VALVE**



SPECIALIST IN BOILER ACCESSORIES & CONTROL



SPECIALIST IN TURBINE ACCESSORIES & CONTROL



COMPANY PROFILE



Established in 2005, PT. Budijaya Makmursentosa strives to be a leading engineering supplier to offer the most complete selection of instruments and mechanicals for Palm Oil Mills, Refineries, Oil & Gas, Pulp & Papers, Mining Pharmaceutic, Petrochemical, Bio-Diesel and General Industries. The company is committed to provide solution and exceed the expectation of our customers

through high-quality products, competitive - price, warranty, and service after sales. Since its establishment, PT. Budijaya Makmursentosa has proven outstanding reputation and gained trust from its principals and customers in establishing excellent business relationship. Supported with professional sales team and qualified project engineers, PT. Budijaya Makmursentosa is dedicated to accomplish all requirements to achieve highest level of customer satisfaction.



OPERATIONAL & FUNCTIONAL CHECKED



STOCK AREA



DELIVERY ZONE



ASSEMBLING ZONE

MEDAN OFFICE / WAREHOUSE

Jl. Sangir Talaud I KIM IV, Pematang Johar, Labuhan Deli
Kabupaten Deli Serdang, Sumatera Utara 20373
Indonesia, Email : sales@bjmsgroup.com
Telp: 061 - 4273 1118, Fax : 061 - 4273 1119

JAKARTA OFFICE / WAREHOUSE

Jl. Daan Mogot, KM.18,
Green Sedayu Bizpark Unit DM 5 No.2,
Jakarta Barat 11840 Indonesia
Telp. : (021) 2252 2441, Fax : (021) 2252 2442



scan for further information