

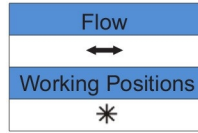
# MODEL : GV-202 | Rising Stem Gate Valve, Outside Screw and Yoke |



Connection : ANSI 150, 300, 600

VTV VALVE, serving Multi-National end users in a wide range of applications in many industries including:

1. Palm Oil and Refinery Plant
2. Food Industries
3. Building Services
4. Cooling System
5. Petrochemical
6. Fire Protection System
7. Power Plant



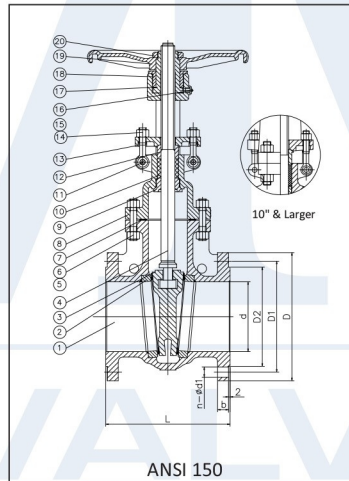
## SPECIFICATION

Valve Design : API 600 Trims  
 Face to face : ASME 16.10  
 Flange Connection : ASME B16.5  
 Testing : API 598  
 Rating P-T : ASME B16.34

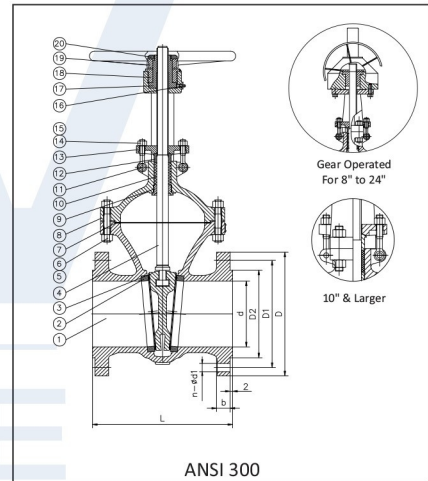
- Suitable for :
1. Water
  2. Oil
  3. Gases

## MATERIAL LIST

| No. | Parts         | Material           |
|-----|---------------|--------------------|
| 1   | *Body         | ASTM A216 WCB      |
| 2   | *Seat ring    | ASTM A105+13Cr     |
| 3   | *Wedge        | ASTM A216 WCB+13Cr |
| 4   | *Stem         | ASTM A182 F6a      |
| 5   | Bonnet nut    | ASTM A194 2H       |
| 6   | Bonnet bolt   | ASTM A193 B7       |
| 7   | Gasket        | SS304+Graphite     |
| 8   | *Bonnet       | ASTM A216 WCB      |
| 9   | Backseat      | ASTMA276 410       |
| 10  | Packing       | GRAPHITE           |
| 11  | Pin           | ANSI1035           |
| 12  | *Gland        | ASTMA276 410       |
| 13  | Gland flange  | ASTM A276 WCB      |
| 14  | Gland nut     | ASTM A194 2H       |
| 15  | Gland eyebolt | ASTM A193 B7       |
| 16  | Grease nipple | ASTM A570 Gr.A     |
| 17  | Stem nut      | Bronze alloy       |
| 18  | Retaining nut | ANSI 1035          |
| 19  | Handwheel     | Ductile iron       |
| 20  | locking nut   | ANSI 1025          |



ANSI 150

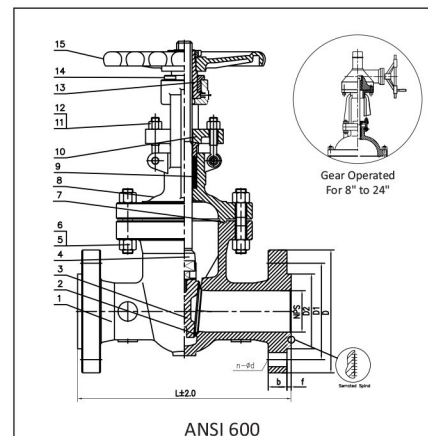


ANSI 300

\*Optional : SS304 | SS316

## DIMENSIONS AND WEIGHTS ANSI 150, ANSI 300, ANSI 600

| NPS  | DN (mm) | L (RF) |      |      | D    |      |      | b    |      |      | Weight (Kg) |      |      |
|------|---------|--------|------|------|------|------|------|------|------|------|-------------|------|------|
|      |         | 150#   | 300# | 600# | 150# | 300# | 600# | 150# | 300# | 600# | 150#        | 300# | 600# |
| 2"   | 50      | 178    | 216  | 292  | 150  | 165  | 165  | 14.3 | 20.7 | 25   | 18          | 22   | 34   |
| 2.5" | 65      | 190    | 241  | 330  | 180  | 190  | 190  | 15.9 | 23.9 | 29   | 23          | 34   | 54   |
| 3"   | 80      | 203    | 283  | 356  | 190  | 210  | 210  | 17.5 | 27   | 32   | 28          | 46   | 61   |
| 4"   | 100     | 229    | 305  | 432  | 230  | 255  | 275  | 22.3 | 30.2 | 38   | 42          | 70   | 111  |
| 5"   | 125     | 254    | 381  | 508  | 255  | 280  | 330  | 22.3 | 33.4 | 45   | 50          | 100  | 174  |
| 6"   | 150     | 267    | 403  | 559  | 280  | 320  | 355  | 23.9 | 35   | 48   | 70          | 120  | 220  |
| 8"   | 200     | 292    | 419  | 660  | 345  | 380  | 420  | 27   | 39.7 | 56   | 110         | 205  | 480  |
| 10"  | 250     | 330    | 457  | 787  | 405  | 445  | 510  | 28.6 | 46.1 | 64   | 170         | 320  | 740  |
| 12"  | 300     | 356    | 502  | 838  | 485  | 520  | 560  | 30.2 | 49.3 | 67   | 260         | 440  | 990  |
| 14"  | 350     | 381    | 762  | 889  | 535  | 585  | 605  | 33.4 | 52.4 | 70   | 380         | 688  | 1230 |
| 16"  | 400     | 406    | 838  | 991  | 595  | 600  | 685  | 35   | 55.6 | 76   | 480         | 996  | 1610 |
| 18"  | 450     | 432    | 914  | 1092 | 635  | 710  | 745  | 38.1 | 58.8 | 83   | 600         | 1430 | 2100 |
| 20"  | 500     | 457    | 991  | 1194 | 700  | 775  | 815  | 41.3 | 62   | 89   | 780         | 1925 | 2890 |
| 24"  | 600     | 508    | 1143 | 1397 | 815  | 915  | 940  | 46.1 | 68.3 | 102  | 1265        | 2585 | 3320 |



ANSI 600