

Diaphragm seal with flange connection

With flush diaphragm

Model 990.27

WIKA data sheet DS 99.27



for further approvals
see page 10

Applications

- Aggressive, highly viscous, crystallising or hot media
- Process industry
- Machine building and automation

Special features

- Flange with flush welded diaphragm
- Common standards and nominal widths available
- Wide variety of different materials and material combinations



Diaphragm seal with flange connection, model 990.27

Description

Diaphragm seals are used for the protection of pressure measuring instruments in applications with difficult media. In diaphragm seal systems, the diaphragm of the diaphragm seal effects the separation of the instrument and the medium. The pressure is transmitted to the measuring instrument via the system fill fluid which is inside the diaphragm seal system.

For the implementation of demanding customer applications, there are a wide variety of designs, materials and system fill fluids available.

For further technical information on diaphragm seals and diaphragm seal systems see IN 00.06 "Application, operating principle, designs".

The model 990.27 diaphragm seal is available in a wide variety of dimensions following the usual standards for this market.

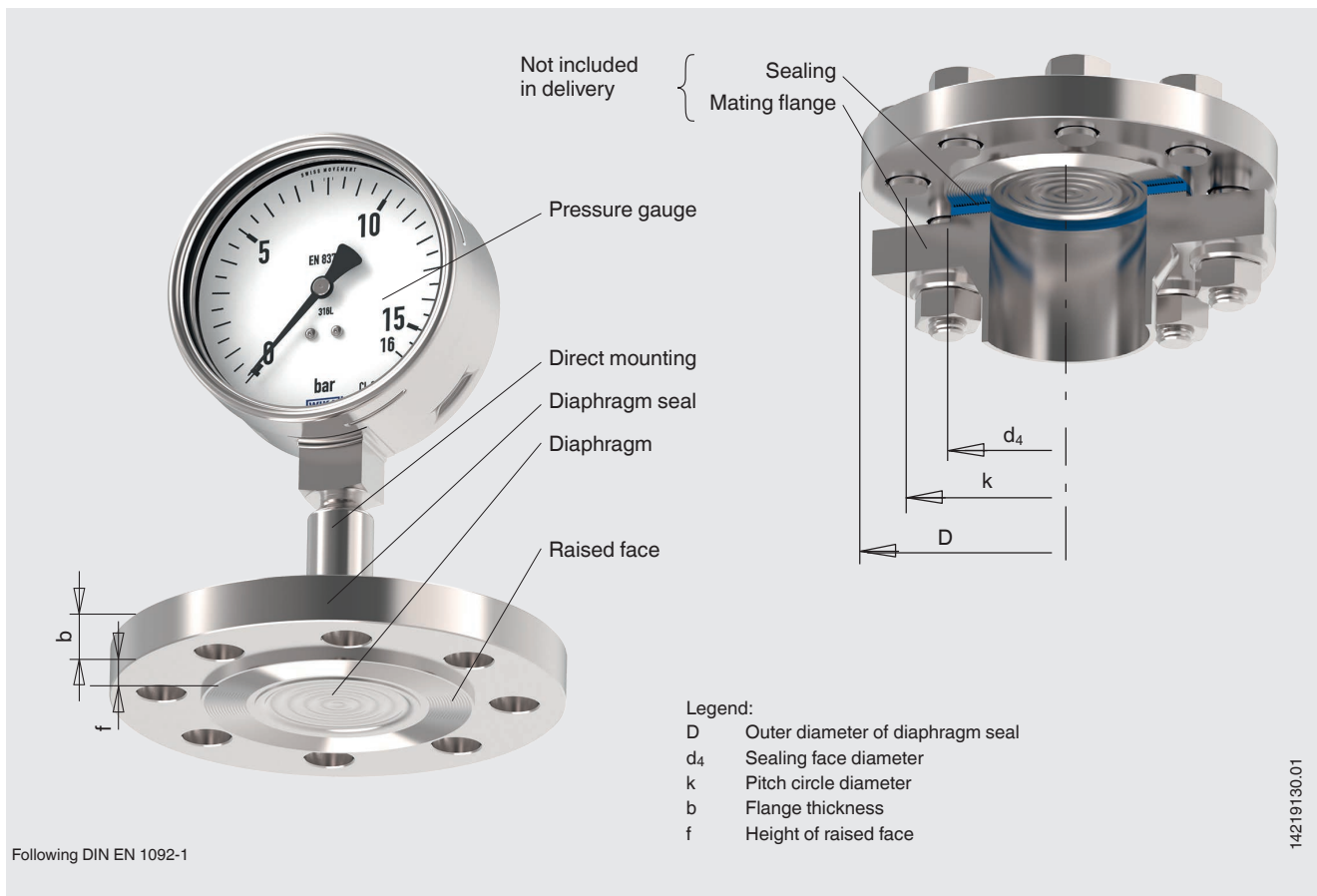
Mounting of the diaphragm seal to the measuring instrument may be made via a direct connection, for high temperatures via a cooling element or via a flexible capillary.

For the material selection WIKA offers a variety of solutions, in which the upper body of the diaphragm seal and the wetted parts can be made of identical or different materials. The diaphragm can, as an alternative, be coated.

Specifications

Model 990.27	Standard	Option
Nominal pressure and materials	See tables from page 4	
Level of cleanliness of wetted parts	Oil and grease free per ASTM G93-03 level F WIKA standard (< 1,000 mg/m ²)	<ul style="list-style-type: none"> ■ Oil and grease free per ASTM G93-03 level D and ISO 15001 (< 220 mg/m²) ■ Oil and grease free per ASTM G93-03 level C and ISO 15001 (< 66 mg/m²)
Origin of wetted parts	International	<ul style="list-style-type: none"> ■ EU ■ CH ■ USA
Connection to the measuring instrument	Axial adapter	Axial adapter with G 1/2, G 1/4, 1/2 NPT or 1/4 NPT (female)
Type of mounting	Direct mounting	<ul style="list-style-type: none"> ■ Capillary ■ Cooling element
Flushing ring, model 910.27	-	Stainless steel 316L, for connection DN 40 ... 125 per EN or DN 1 1/2" ... 5" per ASME (see data sheet AC 91.05)
Design per NACE	-	<ul style="list-style-type: none"> ■ MR 0175 ■ MR 0103
Vacuum service (see IN 00.25)	Basic service	<ul style="list-style-type: none"> ■ Premium service ■ Advanced service
Diaphragm seal for mounting to zone 0	-	With flame arrester and PTB certificate
Instrument mounting bracket (only for capillary option)	-	<ul style="list-style-type: none"> ■ Form H per DIN 16281, 100 mm, aluminium, black ■ Form H per DIN 16281, 100 mm, stainless steel ■ Bracket for pipe mounting, for pipe Ø 20 ... 80 mm, steel (see data sheet AC 09.07)

Example: Diaphragm seal model 990.27 with mounted pressure gauge



Process connection, flange

Standard	Flange size	Sealing face	
		Standard	Option
Following DIN EN 1092-1	DN 25	Form B1	<ul style="list-style-type: none"> ■ Form A ■ Form B2 ■ Form C (tongue) ■ Form D (groove) ■ Form E (spigot) ■ Form F (recess)
	DN 40		
	DN 50		
	DN 65		
	DN 80		
	DN 100		
	DN 125		
Following ASME B16.5	1"	RF 125 ... 250 AA	<ul style="list-style-type: none"> ■ RFSF ■ Flat face ■ Small tongue ■ Small male face ■ Small groove ■ Small female face ■ Large tongue ■ Large male face ■ Large groove ■ Large female face ■ RJF groove
	1 ½"		
	2"		
	2 ½"		
	3"		
	4"		
	5"		
Following GOST 33259	DN 25	Type B	<ul style="list-style-type: none"> ■ Type A (flat face) ■ Type C (tongue) ■ Type D (groove) ■ Type E (spigot, male face) ■ Type F (recess, female face)
	DN 40		
	DN 50		
	DN 65		
	DN 80		
	DN 100		
	DN 125		
Following API 6A	1 1/8"	Ring-joint groove	-
	1 1/16"		
	1 13/16"		
	2 1/16"		
Following JIS B2220	DN 25A	RF	-
	DN 40A		
	DN 50A		
	DN 80A		
	DN 100A		

Other flanges on request

Material combinations

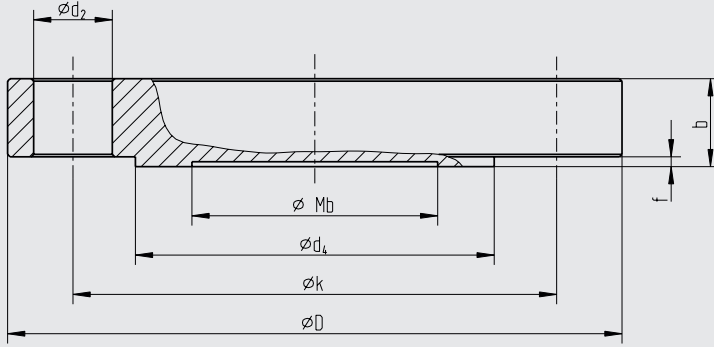
Upper body of diaphragm seal	Wetted parts	Maximum permissible process temperature ¹⁾ in °C (°F)	
Stainless steel 1.4404 (316L)	Stainless steel 1.4404 / 1.4435 (316L), standard version	400 (752)	
	Stainless steel 1.4539 (904L)		
	Stainless steel 1.4541 (321)		
	Stainless steel 1.4571 (316Ti)		
	ECTFE coating		150 (302)
	PFA (perfluoroalkoxy) coating, FDA		260 (500)
	PFA (perfluoroalkoxy) coating, antistatic		400 (752)
	Gold plating		
	Wikaramic® coating		
	Hastelloy C22 (2.4602)		260 (500)
	Hastelloy C276 (2.4819)		400 (752)
	Inconel 600 (2.4816)		
	Inconel 625 (2.4856)		
	Incoloy 825 (2.4858)		
	Monel 400 (2.4360)		
	Nickel 200 (2.4060, 2.4066)		
Titanium (3.7035)	150 (302)		
Titanium (3.7235)			
Tantalum	300 (572)		
Stainless steel 1.4435 (316L)	Stainless steel 1.4435 (316L)	400 (752)	
Stainless steel 1.4539 (904L)	Stainless steel 1.4539 (904L)		
Stainless steel 1.4541 (321)	Stainless steel 1.4541 (321)		
Stainless steel 1.4571 (316Ti)	Stainless steel 1.4571 (316Ti)		
Duplex 2205 (1.4462)	Duplex 2205 (1.4462)		300 (572)
Superduplex 2507 (1.4410)	Superduplex 2507 (1.4410)	400 (752)	
Hastelloy C22 (2.4602)	Hastelloy C22 (2.4602)		
Hastelloy C276 (2.4819)	Hastelloy C276 (2.4819)		
Inconel 600 (2.4816)	Inconel 600 (2.4816)		
Inconel 625 (2.4856)	Inconel 625 (2.4856)		
Incoloy 825 (2.4558)	Incoloy 825 (2.4858)		
Monel 400 (2.4360)	Monel 400 (2.4360)		
Nickel 200 (2.4060, 2.4066)	Nickel 200 (2.4060, 2.4066)		
Titanium 3.7035	Titanium class 2 (3.7035)		
Titanium 3.7235	Titanium class 7 (3.7235)		

1) The maximum permissible process temperature is limited by the joining method and by the system fill fluid.

Further material combinations for special process temperatures on request

Flange connection following DIN EN 1092-1, form B

1387979.04



Legend:

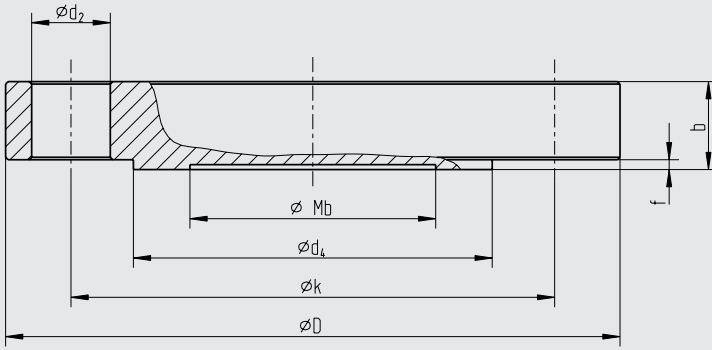
- Mb Effective diameter of diaphragm
- D Outer diameter of diaphragm seal
- b Flange thickness
- d₂ Bore diameter
- d₄ Sealing face diameter
- f Height of raised face
- k Pitch circle diameter
- x Number of bores

DN	PN in bar	Dimensions in mm (in)							x	Weight in kg (lbs)
		Mb	D	b	d ₂	k	f	d ₄		
25	10/40	32 (1.26)	115 (4.528)	18 (0.709)	14 (0.551)	85 (3.346)	2 (0.079)	68 (2.677)	4	1.5 (3.3)
	63/100	25 (0.984)	140 (0.984)	24 (0.945)	18 (0.709)	100 (3.937)				2.5 (5.5)
40	10/40	45 (1.772)	150 (5.905)	18 (0.709)	18 (0.709)	110 (4.331)	2 (0.079)	88 (3.465)	4	2.6 (5.7)
	63/100		170 (6.693)	26 (1.024)	22 (0.866)	125 (4.921)				4.0 (8.8)
	160		170 (6.693)	28 (1.102)	22 (0.866)	125 (4.921)				4.3 (9.5)
	250		185 (2.283)	34 (1.339)	26 (1.024)	135 (5.315)				6.3 (13.9)
50	10/40	59 (2.323)	165 (6.496)	20 (0.787)	18 (0.709)	125 (4.921)	2 (0.079)	102 (4.016)	4	3.3 (7.3)
	63		180 (7.087)	26 (1.024)	22 (0.866)	135 (5.315)				5.1 (11.2)
	100		195 (7.677)	28 (1.102)	26 (1.024)	145 (5.709)				6.5 (14.3)
	160		195 (7.677)	30 (1.181)	26 (1.024)	145 (5.709)				7.0 (15.4)
	250		200 (7.874)	38 (1.496)	26 (1.024)	150 (5.906)				9.3 (20.5)
80	10/16	89 (3.504)	200 (7.874)	20 (0.787)	18 (0.709)	160 (6.299)	2 (0.079)	138 (5.433)	8	4.9 (10.8)
	25/40		200 (7.874)	24 (0.945)	18 (0.709)	160 (6.299)				5.8 (12.8)
	63		215 (8.465)	28 (1.102)	22 (0.866)	170 (6.693)				7.9 (17.4)
	100		230 (9.055)	32 (1.26)	26 (1.024)	180 (7.087)				10.4 (22.9)
	160		230 (9.055)	36 (1.487)	26 (1.024)	180 (7.087)				11.7 (25.8)
	250		255 (10.039)	46 (1.811)	30 (1.181)	200 (7.874)				18.4 (40.6)
100	10/16	89 (3.504)	220 (8.661)	20 (0.787)	18 (0.709)	180 (7.087)	2 (0.079)	158 (6.22)	8	5.9 (13)
	25/40		235 (9.252)	24 (0.945)	22 (0.866)	190 (7.480)				8.1 (17.9)
	63		250 (9.842)	30 (1.181)	26 (1.024)	200 (7.874)				11.5 (25.3)
	100		265 (10.433)	36 (1.487)	30 (1.181)	210 (8.268)				15.5 (34.2)
	160		265 (10.433)	40 (1.575)	30 (1.181)	210 (8.268)				17.3 (38.1)
	250		300 (11.811)	54 (2.126)	33 (1.299)	235 (9.252)				29.9 (65.9)
125	10/16	124 (4.882)	250 (9.842)	22 (0.866)	18 (0.709)	210 (8.268)	2 (0.079)	188 (7.402)	8	8.4 (18.5)
	25/40		270 (10.63)	26 (1.024)	26 (1.024)	220 (8.661)				11.6 (25.6)
	63		295 (11.614)	34 (1.339)	30 (1.181)	240 (9.449)				16.5 (36.4)
	100		315 (12.412)	40 (1.575)	33 (1.299)	250 (9.842)				24.4 (53.8)
	160		315 (12.412)	44 (1.732)	33 (1.299)	250 (9.842)				26.9 (59.3)
	250		340 (13.386)	60 (2.342)	33 (1.299)	275 (10.827)				42.7 (94.1)

Further dimensions and higher nominal pressures on request

Flange connection per ASME B 16.5, RF

1387979.04



Legend:

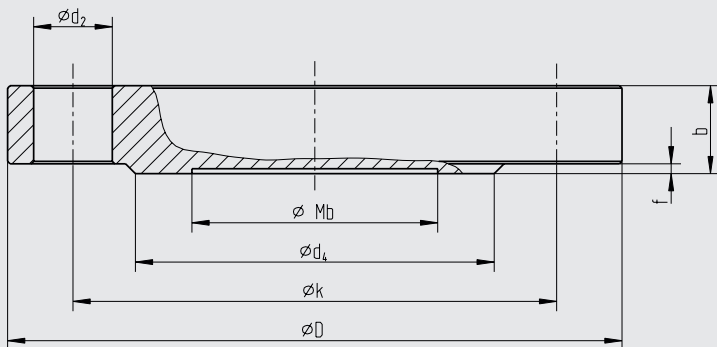
- Mb Effective diameter of diaphragm
- D Outer diameter of diaphragm seal
- b Flange thickness
- d₂ Bore diameter
- d₄ Sealing face diameter
- f Height of raised face
- k Pitch circle diameter
- x Number of bores

DN	Class	Dimensions in mm (in)							x	Weight in kg (lbs)
		Mb	D	b	d ₂	k	f	d ₄		
1"	150	32	110 (4.331)	14.7 (0.579)	16 (0.63)	79.4 (3.126)	2	51 (2.008)	4	1.4 (3.1)
	300	(1.26)	125 (4.921)	17.9 (0.705)	19 (0.748)	88.9 (3.5)	(0.079)			1.7 (3.7)
1 1/2"	150	45 (1.772)	125 (4.921)	17.9 (0.705)	16 (0.63)	98.4 (3.874)	2	73 (2.874)	4	1.6 (3.5)
	300		155 (6.102)	21.1 (0.831)	22 (0.866)	114.3 (4.5)	(0.079)			2.5 (5.5)
	600		155 (6.102)	29.3 (1.154)	22 (0.866)	114.3 (4.5)	7			3.3 (7.2)
	1,500		180 (7.087)	38.8 (1.528)	29 (1.142)	123.8 (4.874)	(0.276)			5.9 (13)
	2,500		205 (8.071)	51.5 (2.078)	32 (1.26)	146 (5.748)	10.4 (22.9)			
2"	150	59 (2.323)	150 (5.905)	19.5 (0.768)	19 (0.748)	120.7 (4.752)	2	92 (3.622)	4	2.7 (6)
	300		165 (6.496)	22.7 (0.894)	19 (0.748)	127 (5)	(0.079)			8
	600		165 (6.496)	32.4 (1.276)	19 (0.748)	127 (5)	7		5.7 (12.6)	
	1,500		215 (8.465)	45.1 (1.776)	26 (1.024)	165.1 (6.5)	(0.276)		13.2 (29)	
	2,500		235 (9.252)	57.9 (2.28)	29 (1.142)	171.4 (6.748)	19.8 (43.7)			
3"	150	89 (3.504)	190 (7.482)	24.3 (0.957)	19 (0.748)	152.4 (6)	2	127 (5)	4	5.3 (11.7)
	300		210 (8.268)	29 (1.142)	22 (0.866)	168.3 (6.626)	(0.079)			8
	600		210 (8.268)	38.8 (1.528)	22 (0.866)	168.3 (6.626)	7		11 (24.3)	
	900		240 (9.449)	45.1 (1.776)	26 (1.024)	190.5 (7.7)	(0.276)		16.7 (36.8)	
	1,500		265 (10.433)	54.7 (1.799)	32 (1.26)	203.2 (8)	24.5 (54)			
	2,500		305 (12.007)	73.7 (2.902)	35 (1.378)	228.6 (5.063)	42.7 (94.1)			
4"	150	89 (3.504)	230 (9.055)	24.3 (0.957)	19 (0.748)	190.5 (7.5)	2	157.2 (6.189)	8	7.7 (17)
	300		255 (10.039)	32.2 (1.268)	22 (0.866)	200 (7.874)	(0.079)			12.7 (28)
	400		255 (10.039)	42 (1.654)	26 (1.024)	200 (7.874)	7			17.4 (38.4)
	600		275 (10.826)	45.1 (1.776)	26 (1.024)	215.9 (8.5)	(0.276)			21.5 (47.4)
	900		290 (11.417)	51.5 (2.028)	32 (1.26)	235 (9.252)	27.7 (61.1)			
	1,500		310 (12.205)	61 (2.402)	35 (1.378)	241.3 (9.5)	37 (81.6)			
	2,500		355 (13.976)	83.2 (3.276)	42 (1.654)	273 (10.748)	65.7 (144.8)			
5"	150	124 (4.882)	255 (10.039)	24.3 (0.957)	22 (0.866)	215.9 (8.5)	2	185.7 (7.311)	8	9.2 (20.3)
	300		280 (11.024)	35.4 (1.394)		235 (9.25)	(0.079)			16.3 (35.9)
	400			45.1 (2.13)	26 (1.024)		7			19.3 (42.5)
	600		330 (13)	51.5 (2.028)	29 (1.142)	266.7 (10.5)	(0.276)			30.5 (67.2)
	900		350 (13.78)	57.8 (2.278)	35 (1.378)	279.4 (11)	38 (83.8)			
	1,500		375 (14.764)	80.1 (3.154)	42 (1.654)	292.1 (11.5)	60.1 (132.5)			
	2,500		420 (16.535)	99.1 (3.902)	48 (1.189)	323.8 (12.75)	93.6 (206.4)			

Further dimensions and higher nominal pressures on request

Flange connection per GOST 33259, type B

14237014.01

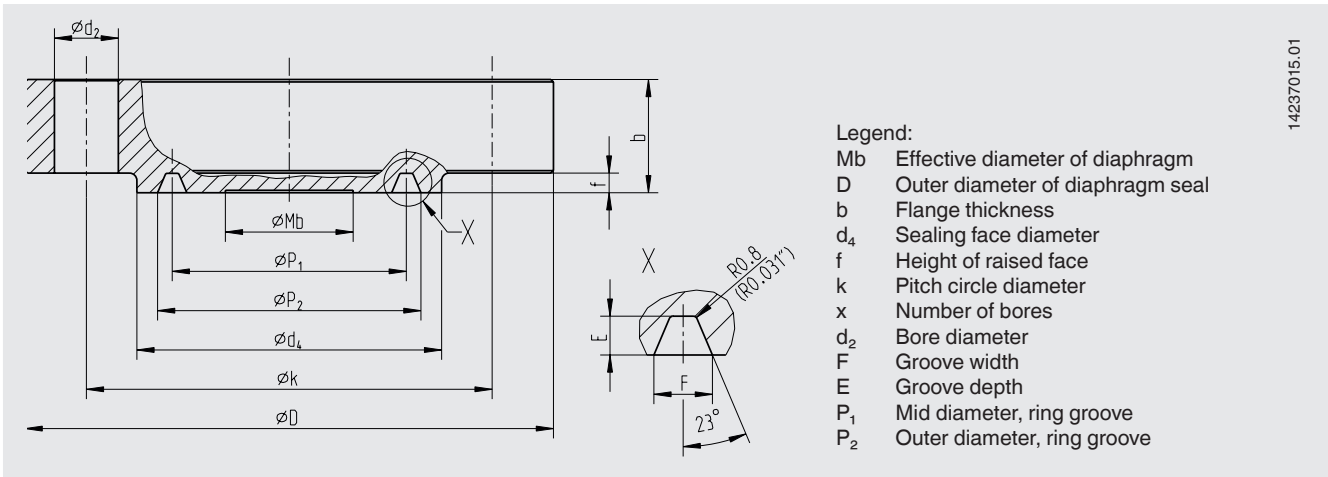


- Legend:
- Mb Effective diameter of diaphragm
 - D Outer diameter of diaphragm seal
 - b Flange thickness
 - d₂ Bore diameter
 - d₄ Sealing face diameter
 - f Height of raised face
 - k Pitch circle diameter
 - x Number of bores

DN	PN in bar	Dimensions in mm (in)							x	Weight in kg (lbs)
		Mb	D	b	d ₂	k	f	d ₄		
50	10/16	59 (2.323)	160 (6.3)	16 (0.63)	18 (0.709)	125 (4.921)	3 (0.118)	102 (4.016)	4	2.4 (5.3)
	25/40			20 (0.787)						3 (6.6)
	63		175 (6.89)	26 (1.024)	22 (0.866)	135 (5.315)	4.5 (9.9)			
	100		195 (7.677)	28 (1.102)	26 (1.024)	145 (5.709)	5.6 (12.3)			
	160		30 (1.181)	6.4 (14.1)						
	200		210 (8.268)	40 (1.575)	160 (6.299)	8	9.4 (20.7)			
80	10	89 (3.504)	195 (7.677)	18 (0.709)	18 (0.709)	160 (6.299)	3 (0.118)	133 (5.236)	4	4 (8.8)
	16			20 (0.787)						4.5 (9.9)
	25		22 (0.866)	8	4.8 (10.6)					
	40		24 (0.945)	5.2 (11.5)						
	63		210 (7.677)	30 (1.181)	22 (0.866)	170 (6.693)	7.4 (16.3)			
	100		230 (9.055)	34 (1.339)	26 (1.024)	180 (7.087)	9.8 (21.6)			
	160		36 (1.417)	10.4 (22.9)						
	200		290 (11.417)	54 (2.126)	33 (1.299)	230 (9.055)	24.7 (54.5)			
100	10/16	89 (3.504)	215 (8.465)	20 (0.787)	18 (0.709)	180 (7.087)	3 (0.118)	158 (6.22)	8	5.3 (11.7)
	25			24 (0.945)						22 (0.866)
	40		26 (1.024)	7.8 (17.2)						
	63		250 (9.842)	32 (1.26)	26 (1.024)	200 (7.874)	11.1 (24.5)			
	100		265 (10.433)	38 (1.496)	30 (1.181)	210 (8.268)	14.5 (32)			
	160		40 (1.575)	15.3 (33.7)						
	200		360 (14.173)	66 (2.598)	39 (1.535)	292 (11.496)	47.2 (104.1)			
	125		10/16	89 (3.504)	245 (9.646)	22 (0.866)	18 (0.709)	210 (8.268)	3 (0.118)	184 (7.244)
25		26 (1.024)	26 (1.024)			220 (8.661)				
40		28 (1.102)	11.4 (25.1)							
63		295 (11.614)	36 (1.417)		30 (1.181)	240 (9.449)	17.4 (38.4)			
100		310 (12.205)	42 (1.654)		33 (1.299)	250 (9.842)	22.3 (49.2)			
160		310 (12.205)	44 (1.732)		23.4 (51.6)					
200		385 (15.157)	76 (2.992)		39 (1.535)	318 (12.52)	63.2 (139.3)			

Further dimensions and higher nominal pressures on request

Flange connection per API 6A, ring-joint groove

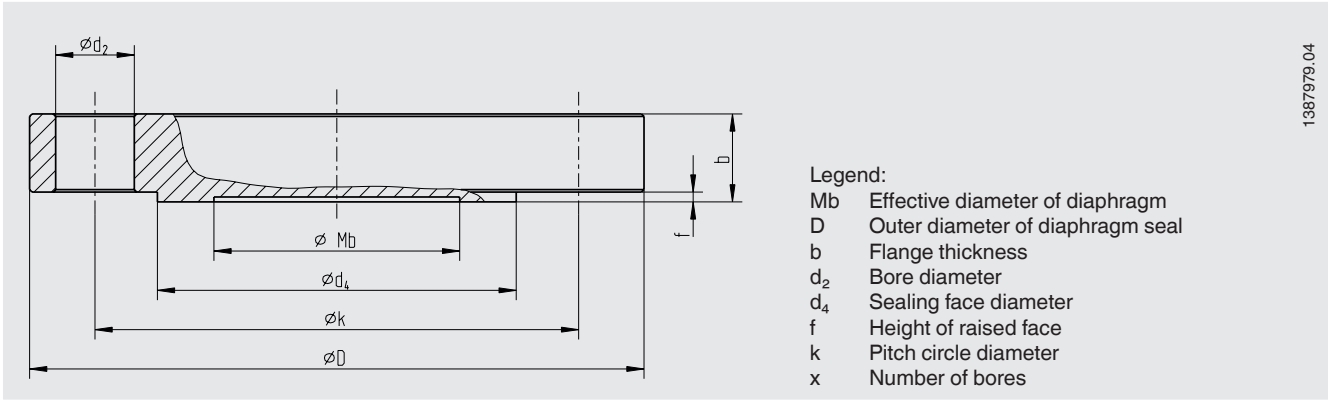


14237015.01

DN	PN in psi	Dimensions in mm (in)						x	Groove dimensions in mm (in)					Weight in kg (lbs)
		Mb	D	d ₄	f	b	k		d ₂	P ₁	P ₂	E	F	
1 13/16"	10,000	40 (1.575)	185 (7.283)	105 (4.134)	4 (0.157)	42.1 (1.657)	146.1 (5.752)	8	23 (0.906)	-	77.77 (3.062)	5.56 (21.89)	11.84 (0.466)	7.7 (17)
	15,000		210 (8.268)	106 (4.173)		45.3 (1.783)	160.3 (6.311)		26 (1.024)					10.5 (23.1)
	20,000		255 (10.039)	117 (4.606)		63.5 (2.5)	203.2 (8)		29 (1.142)					
2 1/16"	2,000	52 (2.047)	165 (6.496)	108 (4.252)	8 (0.315)	33.4 (1.315)	127 (5)		20 (0.787)	82.55 (3.25)	-	7.9 (0.311)	11.91 (0.469)	4.6 (10.1)
	3,000/ 5,000		215 (8.465)	124 (4.882)		46.1 (1.815)	165.1 (6.5)		26 (1.024)	95.25 (3.75)				10.7 (23.6)
	10,000		200 (7.874)	111 (4.370)	4 (0.157)	44.1 (1.736)	158.8 (6.252)		23 (0.906)	-	86.23 (3.395)	5.95 (0.234)	12.65 (0.498)	9.5 (20.9)
	15,000		220 (8.661)	114 (4.488)		50.8 (2)	174.6 (6.874)		26 (1.024)					13.2 (29.1)
	20,000		285 (11.22)	132 (5.197)		71.5 (2.815)	230.2 (9.063)		32 (1.26)					31.6 (69.7)
2 9/16"	2,000	59 (2.323)	190 (7.48)	127 (5)	8 (0.315)	36.6 (1.441)	149.2 (5.874)		23 (0.906)	101.6 (4)	-	7.9 (3.11)	11.91 (0.469)	6.7 (14.8)
	3,000/ 5,000		245 (9.656)	137 (5.394)		49.3 (1.941)	190.5 (7.5)		29 (1.142)	107.95 (2.25)				15 (33.1)
	10,000		230 (9.055)	132 (5.197)	4 (0.157)	51.2 (2.016)	184.2 (7.252)		26 (1.024)	-	102.77 (4.046)	6.75 (0.266)	14.07 (0.579)	14.7 (32.4)
	15,000		255 (10.039)	133 (5.236)		57.2 (2.055)	200 (7.874)		29 (1.142)					20.1 (44.3)
	20,000		325 (12.795)	151 (5.945)		79.4 (3.126)	261.9 (10.311)		35 (1.378)					46.3 (102)
3 1/8"	2,000	89 (3.504)	210 (8.268)	146 (5.748)	7.9 (0.311)	39.7 (1.563)	168.3 (6.626)		23 (0.906)	123.83 (4.875)	-	7.9 (0.311)	11.91 (0.469)	9.2 (20.3)
	3,000		240 (9.449)	156 (6.142)	8 (0.315)	46.1 (1.815)	190.5 (7.5)		26 (1.024)					13.9 (30.6)
	5,000		265 (10.433)	168 (6.614)	7.9 (0.311)	55.6 (2.189)	203.2 (8)		32 (1.26)	136.53 (5.375)				20.2 (44.5)

Further dimensions and higher nominal pressures on request

Flange connection per JIS B 2220, RF




1387979.04

DN	PN	Dimensions in mm (in)							x	Weight in kg (lbs)	
		Mb	D	b	d ₂	k	f	d ₄			
25A	5K	32 (1.26)	95 (3.74)	10 (0.394)	12 (0.472)	75 (2.953)	1 (0.039)	59 (2.323)	4	0.7 (1.5)	
	10K		125 (4.921)	14 (0.551)	19 (0.748)	90 (3.543)				1.4 (3.1)	
	16K		130 (5.118)	20 (0.787)	95 (3.740)	70 (2.756)				1.6 (3.5)	
	20K									16 (0.63)	2.1 (4.6)
	30K	22 (0.866)						2.3 (5.1)			
	40K	25 (0.984)	140 (5.512)	27 (1.063)	23 (0.906)	100 (3.967)		3.1 (6.9)			
	63K	185 (7.83)	34 (1.339)	23 (0.906)	145 (5.709)	6.4 (14.1)					
50A	5K	59 (2.323)	130 (5.118)	14 (0.551)	15 (0.591)	105 (4.134)	2 (0.079)	85 (3.346)	8	1.5 (3.3)	
	10K		155 (6.102)	16 (0.63)	19 (0.748)	120 (4.724)				96 (3.78)	2.3 (5.1)
	16K		165 (6.496)	22 (0.866)	130 (5.118)	105 (4.134)				2.2 (4.9)	
	20K									18 (0.709)	2.4 (5.3)
	30K									26 (1.024)	3.4 (7.5)
	40K		185 (7.83)	34 (1.339)	23 (0.906)	145 (5.709)				4.0 (8.8)	
	63K		230 (9.055)	40 (1.575)	25 (0.984)	185 (7.83)				6.4 (14.1)	
80A	5K	89 (3.504)	180 (7.087)	14 (0.551)	19 (0.748)	165 (6.496)	121 (4.764)	4	2.7 (6)		
	10K		185 (7.83)	18 (0.709)	150 (5.905)				126 (4.961)	8	3.5 (7.7)
	16K		200 (7.874)	20 (0.787)	23 (0.906)				160 (6.299)	132 (5.197)	4.5 (9.9)
	20K		210 (8.268)	28 (1.102)	170 (6.693)				140 (5.512)	4.9 (10.8)	
	30K									22 (0.866)	7 (15.4)
	40K									32 (1.26)	8 (17.6)
	63K		230 (9.055)	40 (1.575)	25 (0.984)				185 (7.83)	11.9 (26.2)	
100A	5K	200 (7.874)	200 (7.874)	16 (0.63)	19 (0.748)	165 (6.496)	141 (5.551)	3.7 (8.2)			
	10K		210 (8.268)	18 (0.709)	175 (6.89)	151 (5.945)	4.6 (10.1)				
	16K		225 (8.858)	22 (0.866)	23 (0.906)	185 (7.83)	160 (6.299)	6.4 (14.1)			
	20K		240 (9.449)	32 (1.26)	25 (0.984)	195 (7.677)	165 (6.496)	6.9 (15.2)			
	30K							24 (0.945)	10.4 (22.9)		
	40K							250 (9.852)	36 (1.417)	205 (8.071)	12.8 (28.2)
	63K		270 (10.63)	44 (1.732)	27 (1.063)	220 (8.661)	18.2 (40.1)				

Further dimensions and higher nominal pressures on request

Approvals

Logo	Description	Country
	EAC (option) Pressure equipment directive	Eurasian Economic Community
-	CRN Safety (e.g. electr. safety, overpressure, ...)	Canada
-	MTSCHS (option) Permission for commissioning	Kazakhstan

Certificates (option)

- 2.2 test report per EN 10204 (e.g. state-of-the-art manufacturing, material proof, indication accuracy for diaphragm seal systems)
- 3.1 inspection certificate per EN 10204 (e.g. material proof for wetted metallic parts, indication accuracy for diaphragm seal systems)

Approvals and certificates, see website

Ordering information

Diaphragm seal:

Diaphragm seal model / Process connection (standard, flange size, nominal pressure, sealing face) / Materials (upper body, sealing face, diaphragm) / Level of cleanliness of wetted parts / Origin of wetted parts / Design per NACE / Connection to the measuring instrument / Certificates / Flushing ring

Diaphragm seal system:

Diaphragm seal model / Pressure measuring instrument model (per data sheet) / Mounting (direct mounting, cooling element, capillary) / Materials (upper body, sealing face, diaphragm) / Min. and max. process temperature / Min. and max. ambient temperature / Vacuum service / System fill fluid / Certificates / Height difference / Level of cleanliness of wetted parts / Origin of wetted parts / Design per NACE / Diaphragm seal for mounting to zone 0 / Instrument mounting bracket / Process connection (standard, flange size, nominal pressure, sealing face) / Flushing ring

© 02/2004 WIKA Alexander Wiegand SE & Co. KG, all rights reserved.
The specifications given in this document represent the state of engineering at the time of publishing.
We reserve the right to make modifications to the specifications and materials.

