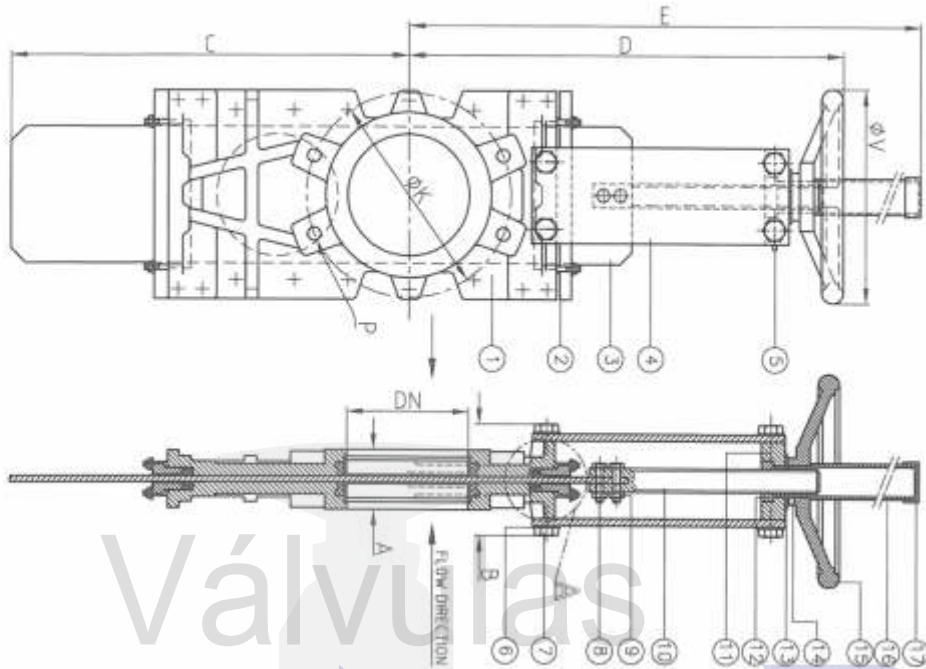
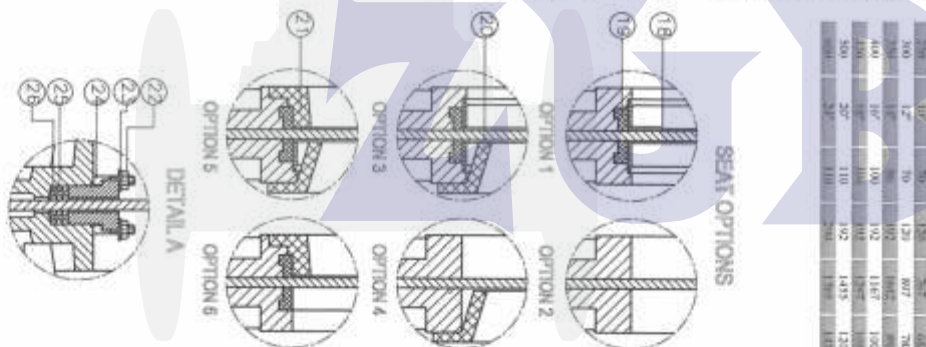


MODEL : 300EV Manual Actuator [Throttling Gate Valve]

Connection : Wafer PN 10, ANSI 150



**KNIFE GATE VALVE
300EV (MANUAL ACTUATOR)**



DN	PN	A	B	C	D	E	AV
50	2"	40	60	220	244	425	200
65	2 1/2"	50	70	250	268	450	250
80	3"	50	80	303	314	480	250
100	4"	50	100	358	374	550	250
125	5"	50	100	428	413	600	250
150	6"	60	100	493	453	650	250
200	8"	60	120	642	582	820	300
250	10"	70	120	797	687	1020	300
300	12"	70	120	897	782	1120	300
350	14"	80	102	1042	898	1380	400
400	16"	100	102	1187	1029	1490	400
450	18"	110	110	1287	1051	1580	500
500	20"	110	102	1415	1207	1680	500
600	24"	110	200	1700	1410	2030	500

DN	PN	A	B	C	D	E	AV
50	2"	125	126.6	4	16.6	16.6	W 5.8"
65	2 1/2"	140	136.7	4	16.6	16.6	W 5.8"
80	3"	160	152.4	8	16.6	16.6	W 5.8"
100	4"	190	169.3	8	16.6	16.6	W 5.8"
125	5"	210	211.9	8	16.6	16.6	W 1.4"
150	6"	250	241.3	8	16.6	16.6	W 1.4"
200	8"	290	278.4	8	16.6	16.6	W 1.4"
250	10"	330	301.9	12	16.6	16.6	W 1.4"
300	12"	400	431.8	12	16.6	16.6	W 1.4"
350	14"	400	478.3	16	16.6	16.6	W 1.4"
400	16"	515	530.7	16	16.6	16.6	W 1.4"
450	18"	585	577.8	20	16.6	16.6	W 1.4"
500	20"	620	625	20	16.6	16.6	W 1.4"
600	24"	720	748.0	20	16.6	16.6	W 1.4"

REF.	DESCRIPTION	MATERIAL	MATERIAL
1	Body	Cast Iron GG25	SS316
2	Pushing gland	Aluminum/Al2014	SS316
3	Gate	SS304L	SS316L
4	Support flange	Steel	Steel
5	Greaser	Standard	Standard
6	Grazer/washer	Steel	A2
7	Bolts	Steel	A2
8	Union nut/stem-gate	Steel	A2
9	Union nut/stem-gate	Steel	A2
10	Stem	SS303*	SS303*
11	Support bridge	Steel	Steel
12	Seal/deflexion ring	Brass	Brass
13	Washer	Brass	Brass
14	Stop screw	A2	A2
15	Handwheel	Cast Iron GG25	Cast Iron GG25
16	Tubing	Steel	Steel
17	Cover	Plastic	Plastic
18	Sliding ring	SS316L	SS316L
19	Seat	EPDM*	EPDM*
20	Deflexion, outer 1 1/2"	SS316*	SS316*
21	Deflexion ring 8"	SS316*	SS316*
22	Nut	Steel	A2
23	Washer	Steel	A2
24	Washer	Steel	A2
25	Packing ring	EPDM*	EPDM*
26	Packing gland	SVT/PTFE*	SVT/PTFE*

*CONSULT MATERIAL
MAXIMUM WORKING PRESSURES RECOMMENDED:
DN50-DN250: 10Bar
DN300-DN400: 6Bar
DN450-DN600: 4Bar

STANDARD TEST PRESSURE:
DN50-DN400: 6Bar
DN450-DN600: 4Bar

Zubi reserves the right to modify the measures without previous notice

