

Handling equipment

For filling, cleaning and recovering SF₆ gas

Model GPU-2000

WIKA data sheet SP 63.16

Applications

Filling, cleaning, evacuating and venting of SF₆ gas-filled switchgear, linear accelerators and other SF₆ gas-filled equipment

Special features

- Oil-free compressor
- Oil-free vacuum compressor
- Dual cleaning of particles, humidity and decomposition products
- Low maintenance effort
- Operation via 10" touchscreen



Handling equipment with 300-litre tank

Description

Maximum safety and simple operation

SF₆ gas is one of the strongest greenhouse gases and must not enter the environment. That is why the correct and safe handling of SF₆ gas during the initial filling, evacuation, cleaning and refilling of SF₆ gas-filled equipment is decisive.

The WIKA handling equipment model GPU-2000 enables the complete process from initial filling to processing to be carried out safely and intuitively.

Thanks to a safety control based on SIL 2 components, the risk of incorrect use, the escape of SF₆ gas and overfilling the storage tank can virtually be ruled out.

Strongest performance with maximum economic efficiency

The GPU-2000 has been specifically developed for the high demands of SF₆ gas handling and offers highest performance in its class, in addition to extensive storage possibilities.

Nevertheless, the GPU-2000 is a cost-effective, portable and low-maintenance solution exceeding the valid IEC standards for the handling of SF₆ gas.

Specifications

Oil-free compressor (SF₆ gas)

Gas flow rate:

9 m³/h (with medium suction pressure, 50 Hz)

7.1 m³/h (with medium suction pressure, 60 Hz)

Outlet pressure: 50 bar abs.

Oil-free vacuum compressor (SF₆ gas)

Selectable versions		
	Gas flow rate	Final vacuum
Standard	10 m ³ /h	< 1 mbar abs.
Option 1	6 m ³ /h	< 1 mbar abs.
Option 2	15 m ³ /h	< 1 mbar abs.

Vacuum pump (air)

Selectable versions		
	Gas flow rate	Final vacuum
Standard	40 m ³ /h	< 1 mbar abs.
Option 1	25 m ³ /h	< 1 mbar abs.
Option 2	63 m ³ /h	< 1 mbar abs.
Option 3	100 m ³ /h	< 1 mbar abs.

Integrated tank, storage capacity

Selectable versions	
Standard	300 litres
Option 1	600 litres
Option 2	without tank

Filter element

Molecular sieve, aluminium oxide, particle filter 1 µm

Max. water absorption: 160 g

Weighing system

Measuring range: 0 ... 400 kg

Accuracy: ±0.02 % of end value

Safety systems

Safety control: Based on SIL 2 components

SF₆ gas warning equipment: 0 ... 2,000 ppmv, based on infrared technology

Control element

10" touchscreen

Connections

1 valve DN20, brass (model GCV-20)

2 valves DN20, aluminium (model GCV-20)

3 protection caps, aluminium (model GCP-20)

Permissible inlet and outlet pressure

≤ 10 bar abs.

≤ 50 bar abs. at high-pressure connection

Voltage supply

Selectable versions	
Standard	AC 360 ... 440 V, 3-phase, 50 Hz
Option 1	AC 220 ... 265 V, 3-phase, 60 Hz
Option 2	AC 360 ... 440 V, 3-phase, 60 Hz
Option 3	AC 190 ... 230 V, 3-phase, 60 Hz

Permissible ambient temperature

Operation: 5 ... 40 °C

Storage: -20 ... +60 °C

Permissible humidity

< 80 % r. h.

Ingress protection

IP42

Weight

approx. 900 kg without tank

approx. 1,250 kg with empty 300-litre tank

approx. 1,500 kg with empty 600-litre tank

Tyres

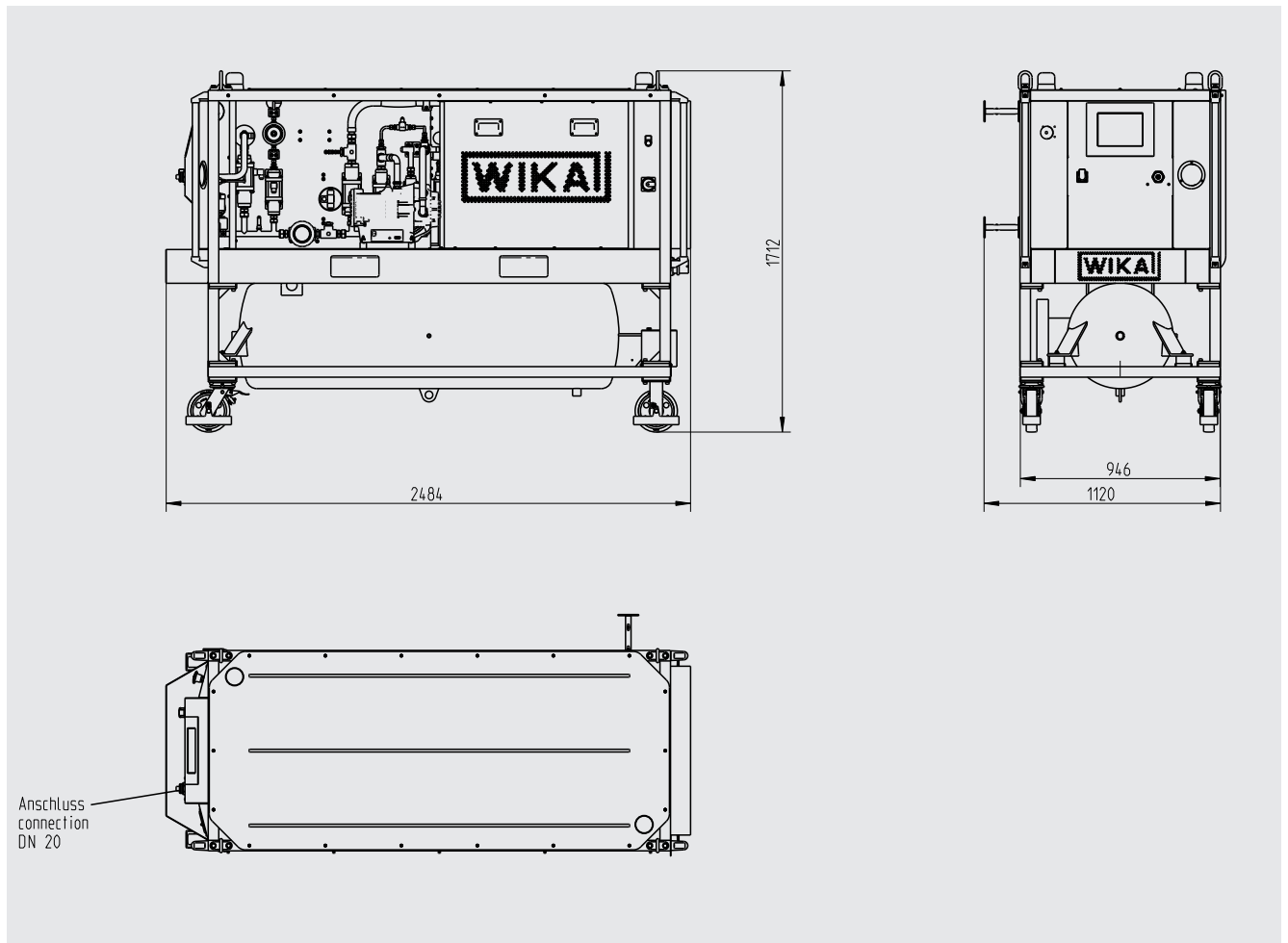
Solid rubber, Ø 200 mm, with rollover protection

Approvals

Logo	Description	Country
CE	EU declaration of conformity <ul style="list-style-type: none"> ■ EMC directive, EN 61326 emission (group 1, class B) and interference immunity (industrial application) ■ RoHS directive ■ Machinery directive 	European Union

Approvals and certificates, see website

Dimensions in mm



Accessories

Hoses		Order number	
Nominal width	Length	Stainless steel	Rubber
DN 8	3 m	14225424	14064928
	6 m	14225507	14064929
	12 m	14225513	14064931
	15 m	14225522	14064933
DN 20	3 m	14225543	on request
	6 m	14225579	on request
	12 m	14225594	on request
	15 m	14225602	on request

Adapter	Order number
DN 8 (male) to DN 20 (female), stainless steel	14096583
DN 8 (female) to DN 20 (male), stainless steel	14148698

Spare parts and service kits	Order number
Oil for vacuum pump, 1 litre	14199926
Filter cartridge for GPF-10	14118800
Filter cartridge for particle filter	14140385
Service kit for compressor (SF ₆ gas)	on request (serial number of GPU-2000 is required)
Service kit for vacuum compressor (SF ₆ gas)	on request (serial number of GPU-2000 is required)
Service kit for vacuum pump (air)	on request (serial number of GPU-2000 is required)

Ordering information

Model / Oil-free vacuum compressor (SF₆ gas) / Vacuum pump (air) / Integrated tank, storage capacity / Accessories

© 03/2016 WIKA Alexander Wiegand SE & Co. KG, all rights reserved.
The specifications given in this document represent the state of engineering at the time of publishing.
We reserve the right to make modifications to the specifications and materials.



WIKAL Alexander Wiegand SE & Co. KG
Alexander-Wiegand-Straße 30
63911 Klingenberg/Germany
Tel. +49 9372 132-0
Fax +49 9372 132-406
info@wika.de
www.wika.de